



Sartolab RF|BT
Disposable PES
Vacuum Filtration Units



Sartolab Receiver Flask (RF) Range & Sartolab Bottle Top (BT) Range



Sartolab RF



Sartolab BT

Sartolab vacuum filtration units

In today's tissue culture laboratory, speed, convenience, sterility assurance and cost effectiveness are the key requirements for busy end users and buyers.

Sartolab Receiver Flask (RF) and Bottle Top (BT) disposable vacuum filter systems are the product of choice for filtration of tissue culture media, serum, buffers, antibiotics, vitamin solutions and other aqueous biologicals.

Sartolab RF and BT filter units offer high quality PES membranes, combining highest flow-rates and throughput with extremely low protein binding and extractables. Not only is this high performance membrane unique to Sartolab products, it is also offered standardly as a 90 mm membrane in all of our 500 ml and 1000 ml bottle top and receiver flask units; guaranteeing faster, higher throughput filtration more cost effectively.

Ready-to-use and easy handling

Pre-sterilized filter units, require only connection to a vacuum source. User-friendly design eliminates mistakes in usage.

Single-unit packaging

Receiver flasks are removable and can be closed for storage with the sterile caps supplied with the units. Bottle tops will fit any 45 mm diameter sterile storage bottle.

Flexible

Sterile filtration of cell culture media, buffers, additives and other aqueous biologicals.

PES Membrane of choice for cell culture

PES membranes combine extremely high flow rates and throughput with low non-specific binding.

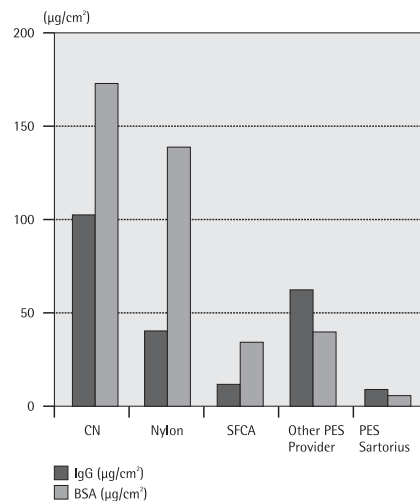
Free of cytotoxic effects

Sartolab units are free of cytotoxic effects, they pass all USP and cytotoxicity tests.

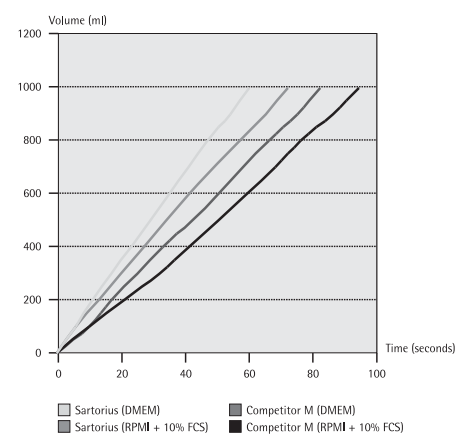
Highest flow rates

The PES membrane in all units and a 90 mm filter diameter in 500 ml and 1000 ml units increase the speed and throughput of filtration.

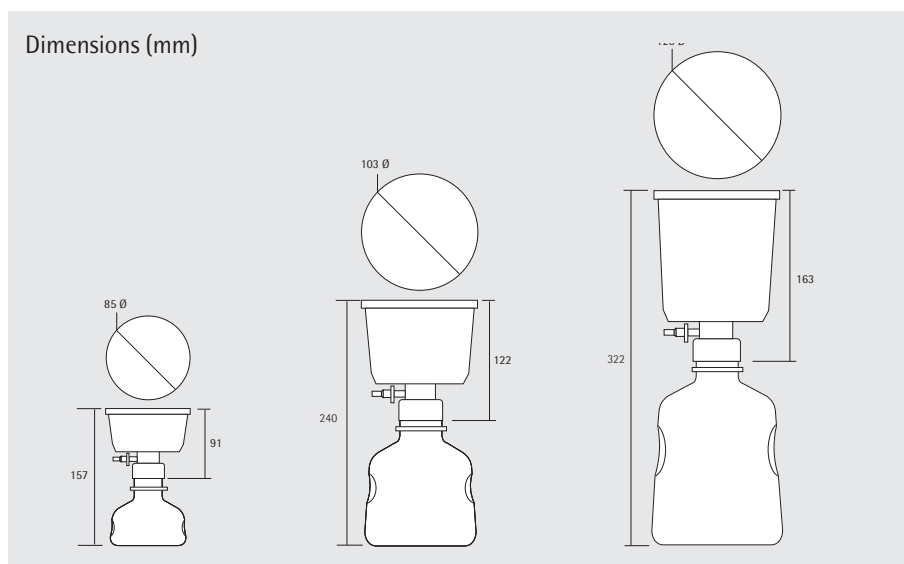
PES Membrane - Low Protein Binding



Highest Flow Rates



Ordering Information



Filter Unit with PES Membrane, Pore size 0.2 μm

Cat. No.	Volume capacity	PES Membrane diameter	Pack size
18081-E	150 ml	50 mm	12
18082-E	500 ml	90 mm	12
18083-E	1000 ml	90 mm	12

Bottle Top Filter with PES Membrane, Pore size 0.2 μm

Cat. No.	Volume capacity	PES Membrane diameter	Pack size
18084-E	150 ml	50 mm	12
18085-E	500 ml	90 mm	12
18086-E	1000 ml	90 mm	12

Specifications

Capacity	150 ml, 500 ml, 1000 ml funnel and flask
Membrane	PES (Polyethersulphone) 50 mm and 90 mm diameter 0.2 μm pore size
Housing	Polystyrene
Connection to vacuum	Plug-on hose nipple
Cytotoxicity	All materials pass USP class VI and cytotoxicity ISO 10993 tests
Neck size bottle top units	45 mm diameter
Sterilization	Gamma radiation

Sales and Service Contacts

For further contacts, visit www.sartorius-stedim.com

Europe

Germany

Sartorius Stedim Biotech GmbH
August-Spindler-Strasse 11
37079 Goettingen

Phone +49.551.308.0
Fax +49.551.308.3289

www.sartorius-stedim.com

Sartorius Stedim Systems GmbH
Schwarzenberger Weg 73-79
34212 Melsungen

Phone +49.5661.71.3400
Fax +49.5661.71.3702

www.sartorius-stedim.com

France

Sartorius Stedim Biotech S.A.
Z.I. des Paluds
Avenue de Jouques – BP 1051
13781 Aubagne Cedex

Phone +33.442.845600
Fax +33.442.845619

Sartorius Stedim France
4, rue Emile Baudot
91127 Palaiseau Cedex

Phone +33.1.6919.2100
Fax +33.1.6920.0922

Austria

Sartorius Stedim Austria GmbH
Franzosengraben 12
A-1030 Vienna

Phone +43.1.7965763.18
Fax +43.1.796576344

Belgium

Sartorius Stedim Belgium N.V.
Leuvensesteenweg, 248/B
1800 Vilvoorde

Phone +32.2.756.06.80
Fax +32.2.756.06.81

Denmark

Sartorius Stedim Nordic A/S
Hoerskaetten 6D, 1.
DK-2630 Taastrup

Phone +45.7023.4400
Fax +45.4630.4030

Italy

Sartorius Stedim Italy S.p.A.
Via dell'Antella, 76/A
50012 Antella-Bagno a Ripoli (FI)

Phone +39.055.63.40.41
Fax +39.055.63.40.526

Netherlands

Sartorius Stedim Netherlands B.V.
Edisonbaan 24
3439 MN Nieuwegein

Phone +31.30.6025080
Fax +31.30.6025099

Spain

Sartorius Stedim Spain SA
C/Isabel Colbrand 10-12,
Planta 4, Oficina 121
Polígono Industrial de Fuencarral
28050 Madrid

Phone +34.91.3586102
Fax +34.91.3588804

Switzerland

Sartorius Stedim Switzerland GmbH
Lerzenstrasse 21
8953 Dietikon

Phone +41.1.746.50.00
Fax +41.1.746.50.50

U.K.

Sartorius Stedim UK Limited
Longmead Business Park
Blenheim Road, Epsom
Surrey KT19 9 QQ

Phone +44.1372.737159
Fax +44.1372.726171

America

USA

Sartorius Stedim North America Inc.
131 Heartland Blvd.
Edgewood, New York 11717

Toll-Free +1.800.368.7178
Fax +1.631.254.4253

Sartorius Stedim SUS Inc.
1910 Mark Court
Concord, CA 94520

Phone +1.925.689.6650
Toll Free +1.800.914.6644
Fax +1.925.689.6988

Asia | Pacific

India

Sartorius Stedim India Pvt. Ltd.
10, 6th Main, 3rd Phase Peenya
KIADB Industrial Area
Bangalore – 560 058

Phone +91.80.2839.1963|0461
Fax +91.80.2839.8262

Japan

Sartorius Stedim Japan K.K.
KY Building, 8-11
Kita Shinagawa 1-chome
Shinagawa-ku
Tokyo 140-0001

Phone +81.3.3740.5407
Fax +81.3.3740.5406

Malaysia

Sartorius Stedim Malaysia Sdn. Bhd.
Lot L3-E-3B, Enterprise 4
Technology Park Malaysia
Bukit Jalil
57000 Kuala Lumpur

Phone +60.3.8996.0622
Fax +60.3.8996.0755

Singapore

Sartorius Stedim Singapore Pte. Ltd.
10, Science Park Road, The Alpha
#02-25, Singapore Science Park 2
Singapore 117684

Phone +65.6872.3966
Fax +65.6778.2494

Australia

Sartorius Stedim Australia Pty. Ltd.
Unit 17/104 Ferntree Gully Road
Waverley Business Park
East Oakleigh, Victoria 3166

Phone +61.3.9590.8800
Fax +61.3.9590.8828