

Modular Assembly System for Stainless Steel Filter Housings



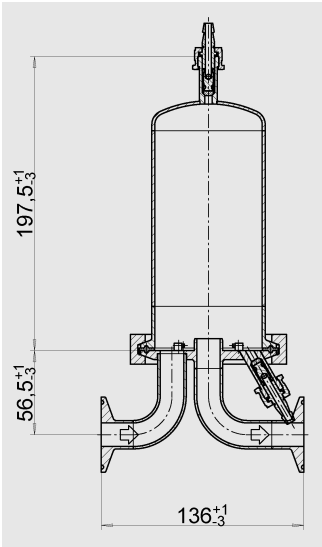
The Sartorius modular assembly system for filter housings combines highest flexibility with short delivery periods and favourable prices. With the help of a special software, the mini-, standard-single- and multisystems can be constructed by our field service locally. There is a choice of different construction heights, different de-aerations and tubing according to German Industrial Standards DIN, the ISO and the BSOD. Furthermore, triclamp, Flange or tube joint connectors are available according to the usual standards.

Stainless steel T-type for 0.05 m², 0.1 m² and 0.2 m² mini cartridges

Stainless steel housings for liquids for the particle or sterile filtration.

The housing features an air venting valve on the inlet side. The change of the mini cartridge with bayonet catch.

Suitable filter cartridges on page 59.



Quality standards for the modular system

Material	AISI 316 L
Surfaces	Interior: Ra < 0,5 µm Exterior: Ra < 1.6 µm
Temperature range	-10...+150°C
Pressure range	-1...+10 bar (1,000 kPa, -14.5 psi.. + 145.0 psi)
Adapter	Mini: 15 Standard: 25

Specifications

Connectors	Triclamp 50.5 mm (Sanitary flange)
Width	ca. 172.5 mm
Surface roughness	Product touching areas < 0.5 µm
Materials	Stainless steel AISI 316L, silicone O-ring
Max. operating pressure	10 bar (1,000 kPa, 145.0 psi)
Max. temperature	150°C

Order number

7M19LSB00085	Stainless steel mini cartridge housing for liquid filtration T-type
--------------	---

Special brochure available on request. Order no. SPG1501-e