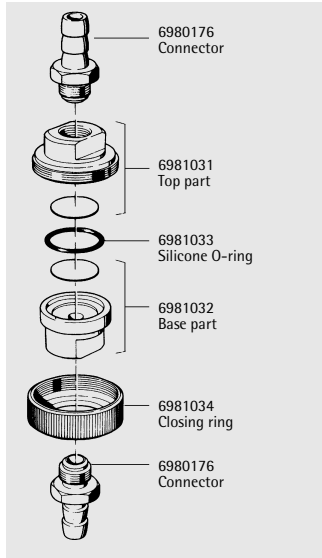


25 mm Stainless Steel Filter Holder for In-line Filtration



The 25 mm filter holder

The G1/4 connection threads with density barrel guarantee leak-proof sealing of the hose nipple and the holder without sealing rings. Other connectors, available as accessories, fit the holder onto reducing valves or pumps with G1/4 female thread (order no. 01030) or G3/8 female thread (01029), or onto pressure tanks with G3/8 male thread (00177).



Specifications

Connectors	Hose nipples DN10
Filtration area	3 cm ²
Flow rate	For air at $\Delta p = 1$ bar (14.5 psi): 0.5 l/min with 0.2 μm , 1.0 l/min with 0.45 μm pore size
Weight	ca. 170 g
Materials	Stainless steel, except silicone O-ring (21x2 mm) and aluminium closing ring
Max. operating pressure	5 bar (500 kPa, 72.5 psi)
Suitable membrane filter	25 mm, type 118
Sterilization	By autoclaving (max. 134°C) or by dry heat (max. 180°C).

Order number

16251	Stainless steel holder for 25 mm \varnothing membrane filter.
-------	---

Replacement parts are shown in the diagram.