

GMP-complying 142 mm Stainless Steel Holder with Sanitary Flanges



The inlet and outlet connectors are sanitary flanges, which are integral parts of the top and bottom plates. They assist in making the holder easy to clean and simplify the in-line installation. A suitable clamp allows, with the legs removed, to adjust the outlet at any height.

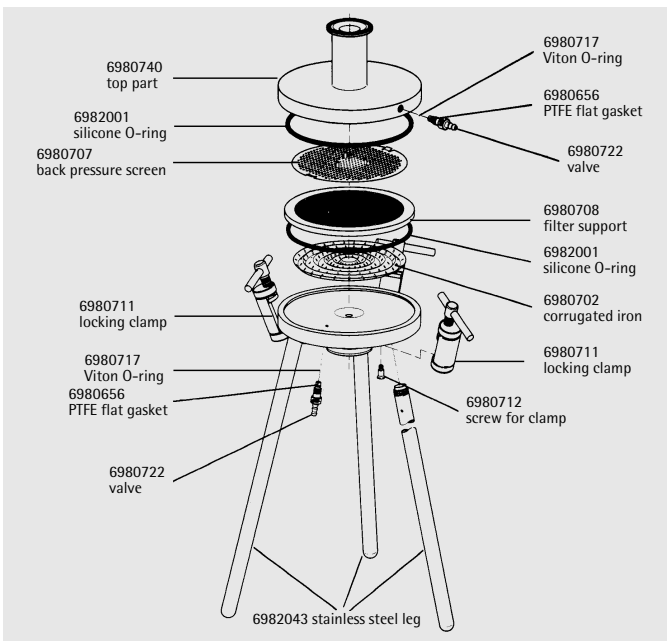
The arrangement of the air venting valve in the top part and the sample removal/test valve in the base guarantees a safe sterilization of

the device with mounted filter, as well by autoclaving as by in-line vapour deposition. The swing-out clamps ensure leak-proof installation by simple hand-tightening. The back pressure screen, very easily mounted has a smooth surface in order to avoid damages of the membrane filter when being autoclaved, even when no glass fibre prefilter is used.



Specifications for the 142 mm sanitary flange holder

Dimensions	Max. height 404 mm, width 231 mm (in height of the clamps) or 293 mm (at the end of the legs).
Chemical compatibility	As for stainless steel, PTFE, silicone and Viton. If required, the silicone O-rings can be replaced by EPDM O-rings (order no. 6982071), Viton O-rings (6982070) or PTFE O-rings (6982072, reduce the max. operating pressure to 4 bar, 58 psi), and the Viton valve O-rings by EPDM O-rings (6985184) or silicone O-rings (6985183).
Flow rate	For water at $\Delta p = 1$ bar (100 kPa, 14.5 psi), 2 l/min with 0.2 μm , 4.5 l/min with 0.45 μm , 11 l/min with 0.8 μm pore size.
Filtration area	130 cm ²
Weight	6 kg
Materials	Top part, base, corrugated iron, locking clamps, stainless steel legs and valve body 1.4401 (AISI 316). PTFE-coated stainless steel filter support and back pressure screen. Silicone O-rings (130×4 mm) in the top part and filter support. Viton valve O-rings (3×1.5 mm). PTFE flat gasket on valves.
Max. operating pressure	at 7 bar (700 kPa)
Suitable membrane filter diameter	142 mm (prefilter, 130 mm)
Sterilization	By autoclaving (max 134°C) or by dry heat (180°C).



Order number for the 142 mm sanitary flange holder

16276 142 mm stainless steel pressure filter holder for the in-line installation, GMP-complying, with sanitary flanges

Recommended accessories are described on page 72. Replacement parts are shown in the diagram.